

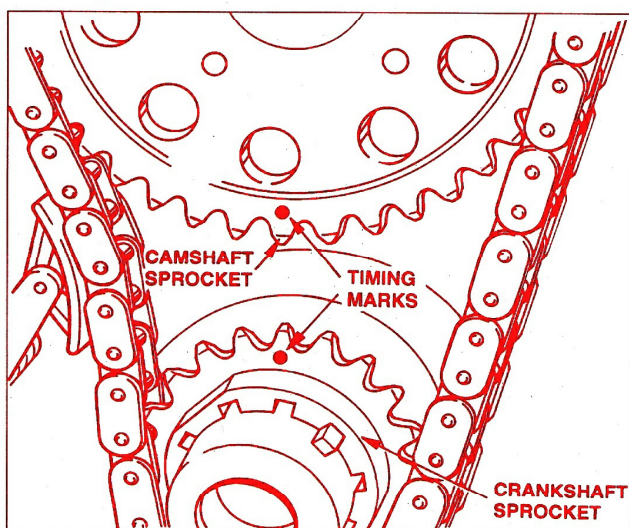
# Nornda Automotive Assembly Instructions

25-31 Innes Road  
Windsor Gardens  
Australia SA5087  
Ph + 61 8 8261 7222  
Fx + 61 8 8261 9171

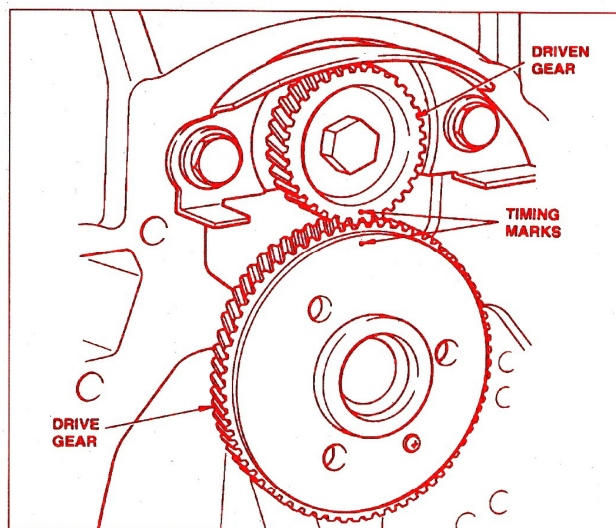
## To Suit: Holden VN V6

1. Make sure sprockets align with the aid of a straight edge. If any adjustments are required to align sprockets, do so at the crank sprocket only.
2. Check that the chain has clearance to pass oil pump cover.
3. Refer to drawing # 1 for timing marks of gear set.
4. Refer to drawing #2 for balance shaft gears

Drawing #1



Drawing #2



### Lubrication:

For Maximum chain life, lubrication is necessary. When R.P.M. increases, chain lubrication must also increase. In order to reduce wear, a good lubricant must form a film over the contacting surfaces. Excessive wear can cause the chain to lengthen to the point of damaging the sprocket teeth and

